

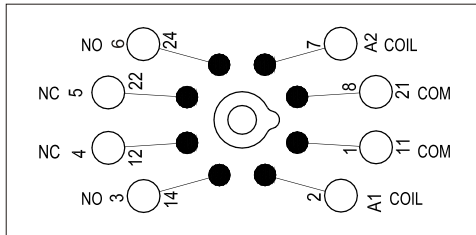


S8D

Only
38 mm
WIDE

**Socket Din Rail or Panel Mountable
for P3 2c/o Relay**

Wiring diagram



Specifications

Poles 2 Change Over Contact (8pins)

Nominal load : 10A / 250V

Insulation: Di-electric strength, 1minute

Between contact and coil 2.5 KV

Between all terminals and DIN Rail 2.5 KV

Between adjacent terminals 2.5 KV

Max. screw torque 0.5 Nm

Screw dimensions M3, Pozi

Wire in-lets capacity:

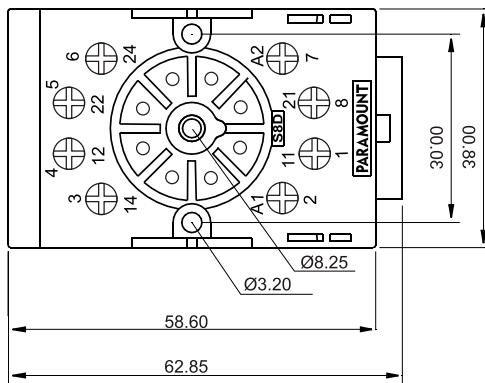
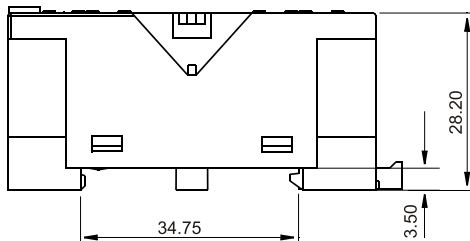
Solid Wire 4sq mm or 2 x 2.25 mm

Multi core 22 14 AWG

Ferrule tip terminals 4 mm sq

Weight Approx. 47 gms.

Dimensions in mm



Other Aspects

DIN Rail / Panel Mountable

EN / DIN Sequential Numbering according to

EN 60947 & IEC 61810

Integrated Relay Hold Down Clip

Removable White Marking Label

Hard Brass Tin Plated Terminals

Brass Tin Plated Screws

Approvals

